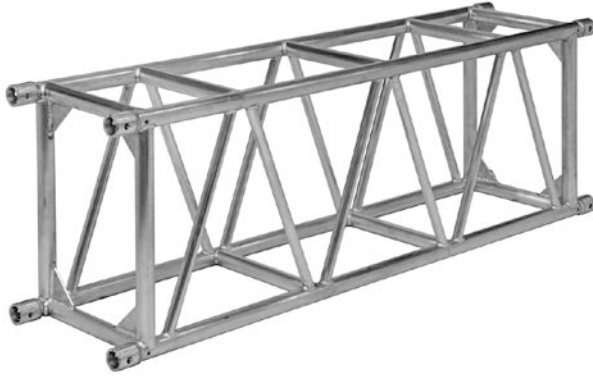




PROLYTE PRODUCTS - S66R



Both the S66R and S66V have two sided webbing and are capable of absorbing vertical loads only.

Application field

RECTANGLE 66 LENGTH 100 CM

Article number	Article
111110149	S66R-L100
111110153	S66R-L150
111110156	S66R-L200
111110159	S66R-L250
111110162	S66R-L300
111110164	S66R-L326
111110167	S66R-L350
111110168	S66R-L400

Technical specification

Article	Weight	Type	Tubewidth	Lift capacity	Length
S66R-L100	16.6	RECTANGLE	50	265,1 / 12 m	100 CM
S66R-L150	20.863	RECTANGLE	50	265,1 / 12 m	150 CM
S66R-L200	27.9	RECTANGLE	50	265,1 / 12 m	200 CM
S66R-L250	28.104	RECTANGLE	50	265,1 / 12 m	250 CM
S66R-L300	37.8	RECTANGLE	50	265,1 / 12 m	300 CM
S66R-L326	36.032	RECTANGLE	50	265,1 / 12 m	326 CM
S66R-L350	42.158	RECTANGLE	50	265,1 / 12 m	350 CM
S66R-L400	49	RECTANGLE	50	265,1 / 12 m	400 CM

S66R and S66V - Allowable Loading

SPAN		Uniformly Distributed Load		DEFLECTION		MAXIMUM ALLOWABLE POINT LOADS										SPAN
						Centre Point Load		DEFLECTION		Single Load Third Points Load per Point		Single Load Fourth Points Load per Point		Single Load Fifth Points Load per Point		
m	ft	kg/m	lbs/ft	mm	inch	CPL		DEFLECTION		TPL		QPL		TPL		total weight
						kgs	lbs	mm	inch	kgs	lbs	kgs	lbs	kgs	lbs	
6	19.7	1024,2	689.2	15	0.59	3334,1	7358.3	12	0.47	2500,6	5518.7	1667,0	3679.2	1383,6	3053.7	102,0
7	23.0	812,0	546.4	20	0.78	2842,0	6272.3	16	0.63	2131,5	4704.2	1421,0	3136.1	1179,4	2603.0	119,0
8	26.2	617,7	415.6	26	1.02	2470,8	5453.1	21	0.82	1853,1	4089.8	1235,4	2726.5	1025,4	2263.0	136,0
9	29.5	484,5	326.0	33	1.29	2180,2	4811.7	27	1.06	1635,2	3608.8	1090,1	2405.9	904,8	1996.9	153,0
10	32.8	389,2	261.9	41	1.61	1946,0	4294.9	33	1.29	1459,5	3221.2	973,0	2147.5	807,6	1782.4	170,0
11	36.1	318,7	214.4	50	1.96	1752,9	3868.7	40	1.57	1314,7	2901.5	876,5	1934.3	727,5	1605.5	187,0
12	39.4	265,1	178.4	59	2.23	1590,5	3510.3	47	1.85	1192,9	2632.7	795,3	1755.2	660,1	1456.8	204,0
13	42.6	223,4	150.3	70	2.75	1451,8	3204.2	56	2.20	1088,9	2403.2	725,9	1602.1	602,5	1329.8	221,0
14	45.9	190,2	128.0	81	3.18	1331,7	2939.2	65	2.55	998,8	2204.4	665,9	1469.6	552,7	1219.8	238,0
15	49.2	163,5	110.0	93	3.66	1226,5	2707.0	74	2.91	919,9	2030.2	613,3	1353.5	509,0	1123.4	255,0
16	52.5	141,7	95.3	105	4.13	1133,4	2501.4	84	3.30	850,1	1876.1	566,7	1250.7	470,4	1038.1	272,0
17	55.8	123,6	83.1	119	4.68	1050,2	2317.9	95	3.74	787,7	1738.4	525,1	1158.9	435,8	961.9	289,0
18	59.0	108,4	72.9	134	5.27	975,4	2152.6	107	4.21	731,5	1614.5	487,7	1076.3	404,8	893.3	306,0
19	62.3	95,5	64.3	149	5.86	907,5	2002.8	119	4.68	680,6	1502.1	453,7	1001.4	376,6	831.2	323,0
20	65.6	84,6	56.9	165	6.49	845,5	1866.1	132	5.19	634,1	1399.6	422,8	933.0	350,9	774.4	340,0
21	68.9	75,1	50.5	182	7.16	788,7	1740.6	145	5.70	591,5	1305.4	394,3	870.3	327,3	722.3	357,0
22	72.2	66,9	45.0	199	7.83	736,2	1624.8	160	6.29	552,2	1218.6	368,1	812.4	305,5	674.3	374,0
23	75.4	59,8	40.2	218	8.58	687,6	1517.5	174	6.85	515,7	1138.1	343,8	758.7	285,3	629.7	391,0
24	78.7	53,5	36.0	237	9.33	642,3	1417.5	190	7.48	481,7	1063.1	321,1	708.7	266,5	588.3	408,0

1 inch = 25,4 mm | 1m = 3.28 ft | 1 lbs = 0,453 kg

- Loading figures only valid for static loads and spans with two supporting points
- Spans must be supported at each end
- If dynamic loads or wind loads are involved, or more supporting points are applied, contact a structural engineer or Prolyte Customer Service
- Loading figures are based on German DIN standards; to comply with BS 7905-2 / ANSI E1.2-2006 / CWA 15902-2, the loading data must be multiplied by 0.85
- The self-weight of the trusses has already been taken into account
- For spans longer than indicated and with a different loading setup use the KYLo programme
- Prolyte Structures can create custom-made pieces on request



S66R
 Mark approval certificate No. 3075/05.
 Test report No. 3074/05.
 TUV certification only valid for loading table above.



S66V
 Mark approval certificate No. 3073/05.
 Test report No. 3072/05.
 TUV certification only valid for loading table above.